



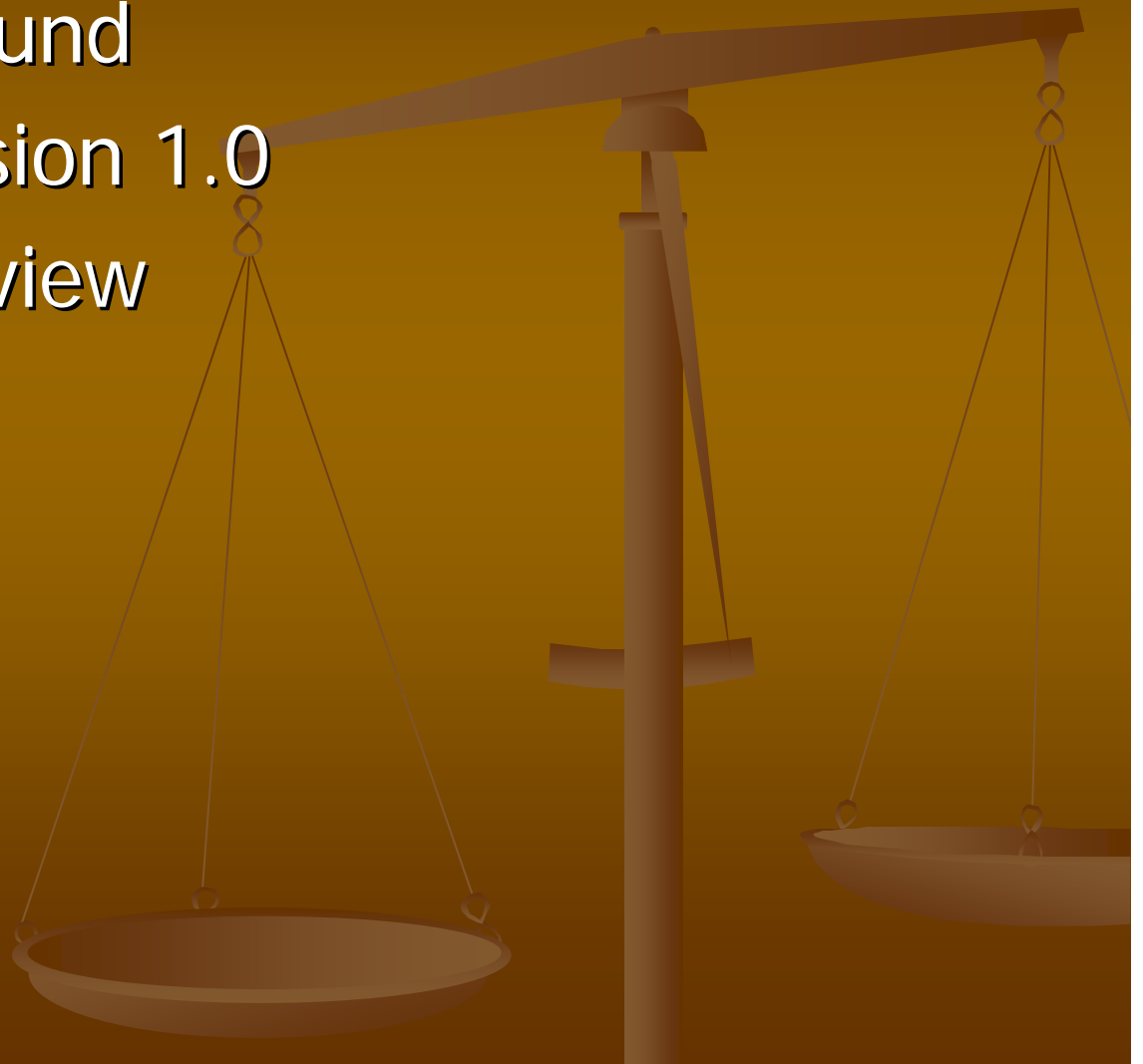
Coconino County CJI Pilot Project Overview

November 5, 2004

<http://www.co.coconino.az.us/cji>

AGENDA

- Project Background
- Integration Version 1.0
- eCitations Overview
- Project's Future

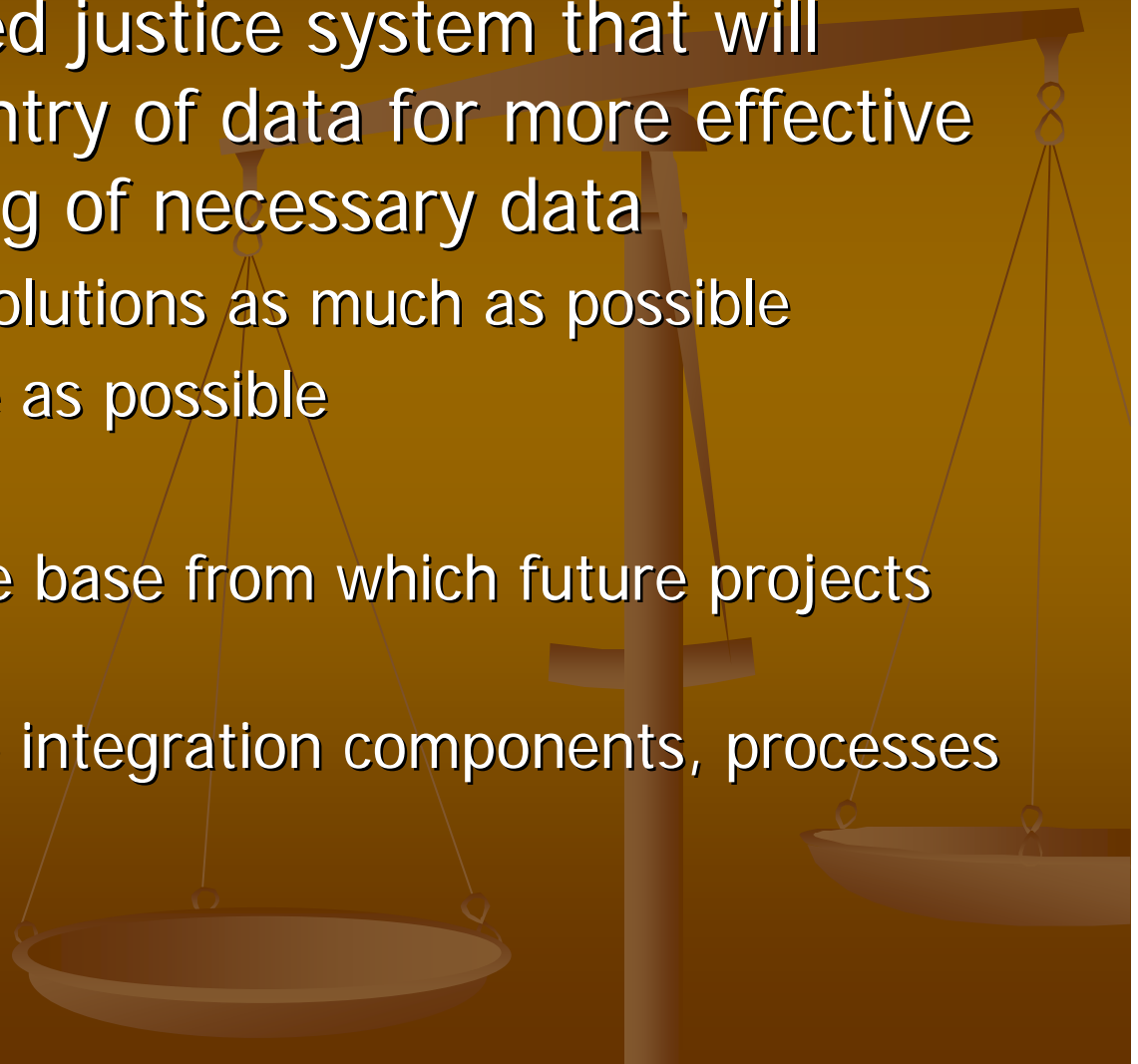


Project Background



Project Goals

- Create an integrated justice system that will eliminate double-entry of data for more effective and efficient sharing of necessary data
 - Avoid proprietary solutions as much as possible
 - Be as cost effective as possible
 - Be flexible
 - Create a knowledge base from which future projects may draw
 - Help to standardize integration components, processes and approach



Project Participants

- Primary Pilot Project Participants
 - County IT Department
 - County Attorney' Office
 - County Sheriff's Office
 - Local Courts & AOC

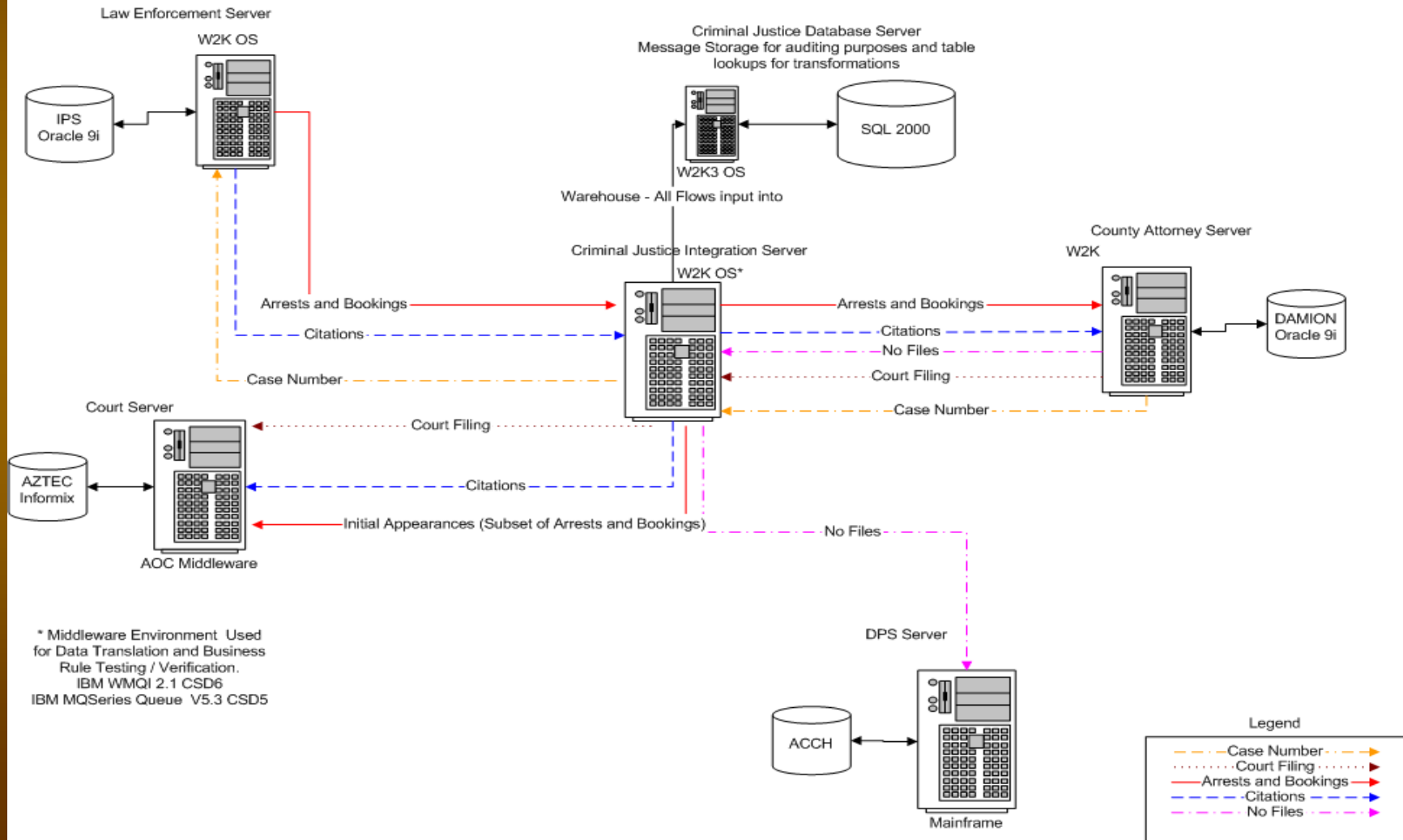


Integration Version 1.0



Current 1.0 Production Systems

Criminal Justice Integration Production System Flows



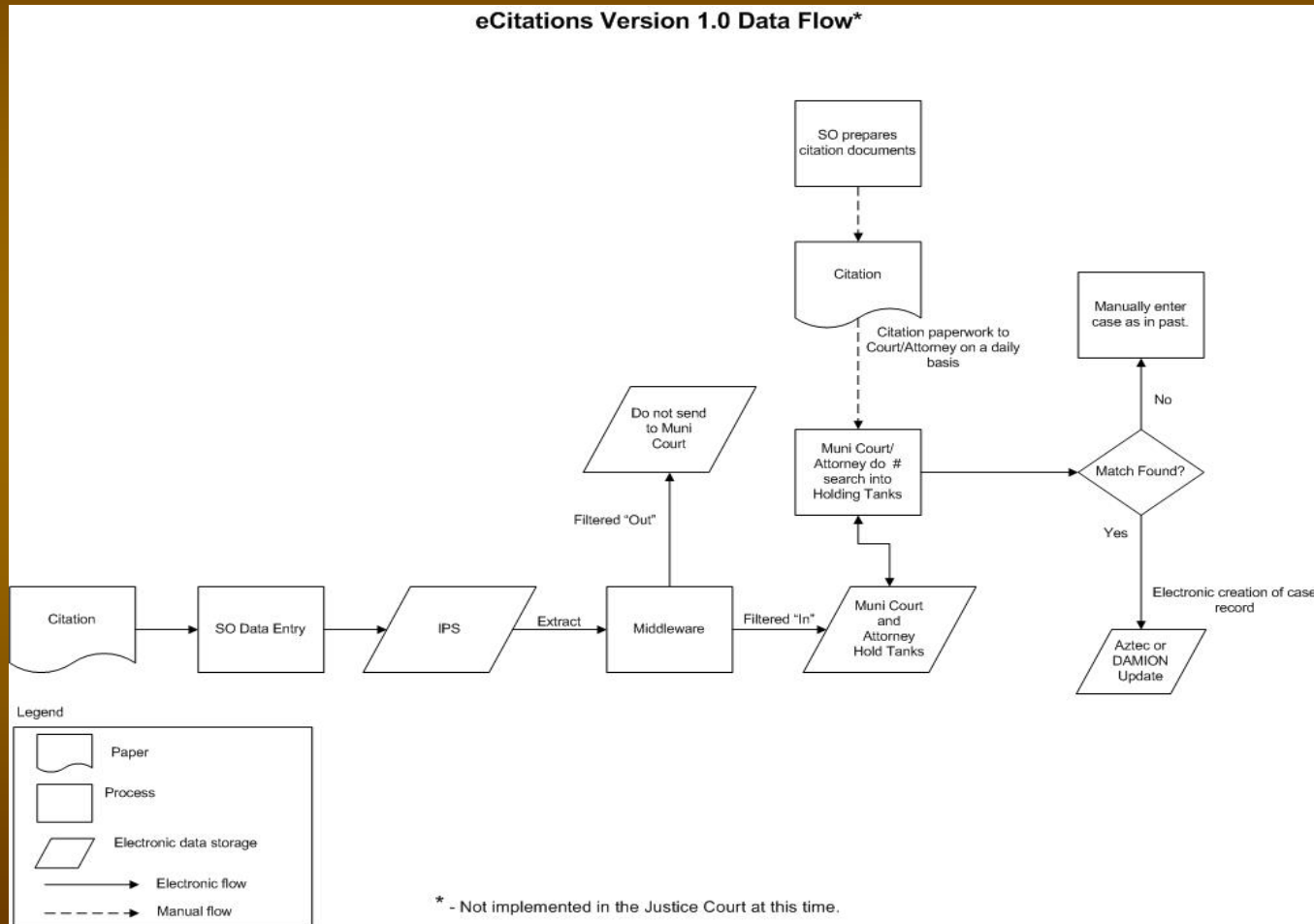
Statistics of Version 1.0 Projects

- eCitations from Law Enforcement to Municipal Courts
Completed 3/31/04
Over 8600 eCitations / 39 per day
 - eBookings from Law Enforcement to County Attorney and Case # reporting from County Attorney to Law Enforcement
Completed 6/21/04
Over 2900 eBookings / 21 per day
Over 700 Case Numbers / 5 per day
 - eCourt Filings from County Attorney to Local Courts (No AZTEC uploads)
Completed 7/09/04
Over 700 eCourt Filings / 6 per day
 - eInitial Appearances from Law Enforcement to Municipal Court (No AZTEC uploads)
Completed 7/28/04
Over 1600 eIAs / 17 per day
 - eCitations from Law Enforcement to County Attorney
Completed 7/28/04
Over 900 eCitations / 9 per day
- 

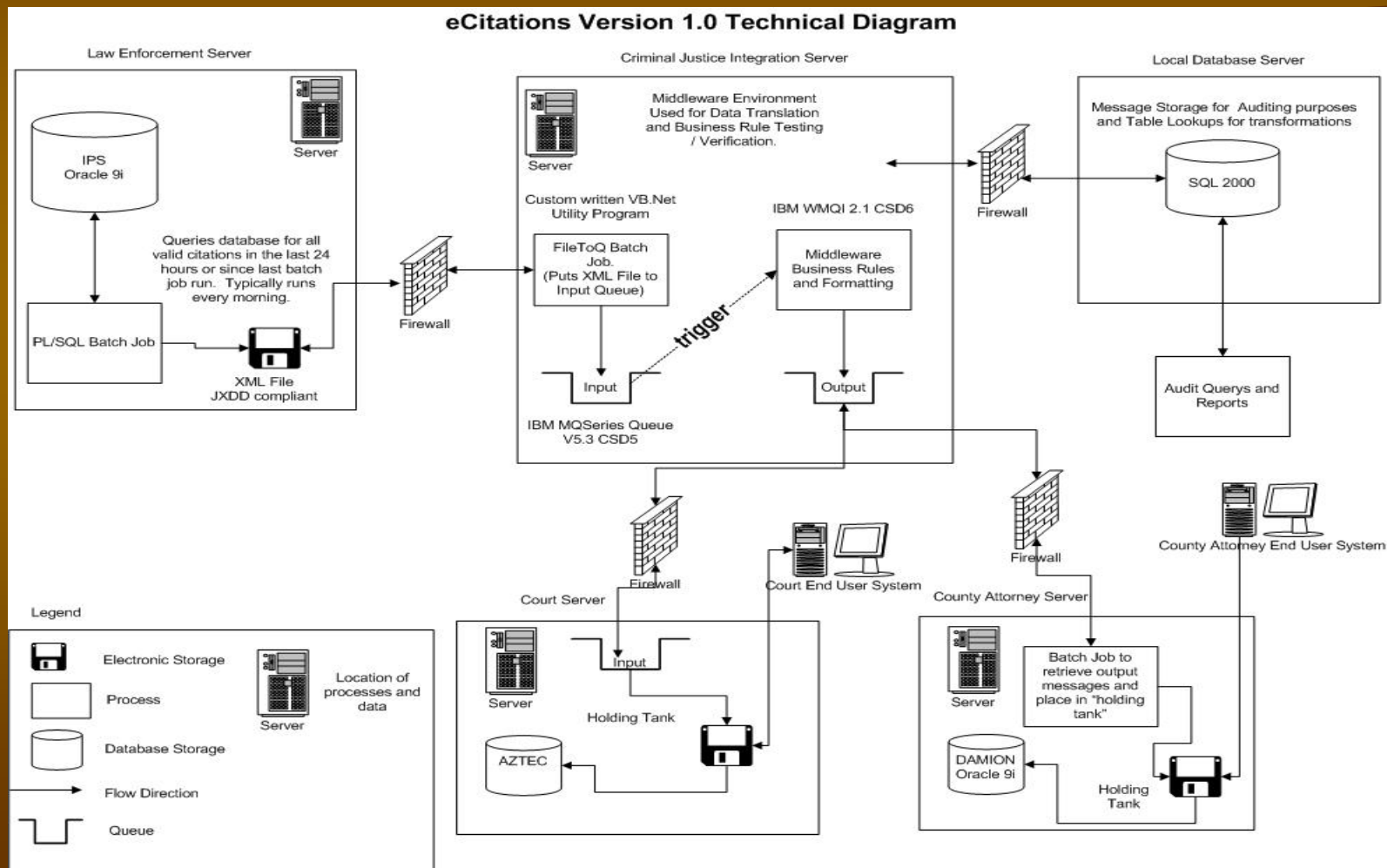
eCitations Overview

Data Flow

eCitations Version 1.0 Data Flow*



eCitations Overview System Design

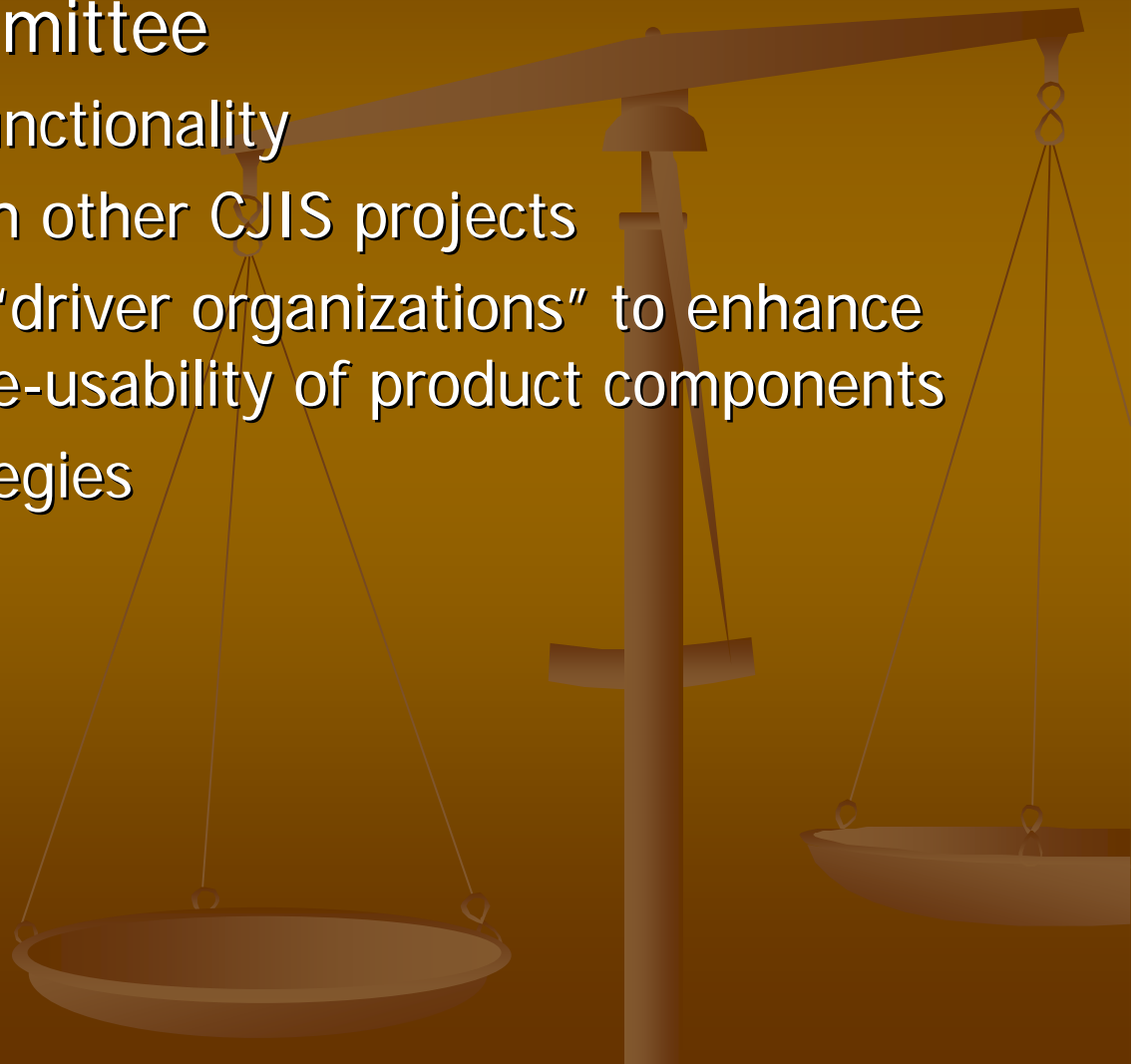


Project's Future



Strategic Product Evolution

- Project Steering Committee
 - Prioritize additional functionality
 - Monitor and align with other CJIS projects
 - Collaborate with key “driver organizations” to enhance standardization and re-usability of product components
 - Identify funding strategies



Project Goals (Newly Established)

Be a local, state and national leader in the creation of a Criminal Justice Integration System for Coconino County. The system will be guided by the following goals and objectives:

- Improve the overall functioning of the County's criminal justice system
- Improve the public image of the county's criminal justice system
- Improve public safety and the extent of services within the county's criminal justice system
- Improve the moral and satisfaction of employees engaged in the county's criminal justice system
- Improve the effectiveness of the county's criminal justice system by providing a common reporting data repository that will be easy to use and will lend itself to the analysis of the county's jail population
- Improve the efficiency of the county's criminal justice system by reducing duplicative manual effort and overall system-related costs

Strategic Project Plan

Projects	FY05	FY06	FY07	FY08	FY09	FY10	
Jail Population access* - electronic listing report	x	X					
Arrest info / Booking Reports*	x	X					
Notification of complaint filing/no files*	x	X					
IPS DR enhancement	X	X					
Register of Actions extractions	x	x	X	X			
Data Repository for search/extraction	x	X	X	X	X	X	
Capture PCN,DV,Charge Type,Print Type at Charge	X	X					
Court Event Notification (read-only calendar)	x	x	X	X			
Citation Field Modifications	x	X					
Court orders, minute entries, sentencing docs.			X	X			
Police Reports/DR report			X	X	X		
Cite/Release* (Citation/Arrest)			X	X			
DV History Access for CA,VW and LE			X (int only)	X (external)			
Jail Population Analysis	X	X	X	X	X	X	
Citations (Entered into Intergraph)*			X	X			
DPS Citations	x	x	X	X	X		
Court Modifiers/disposition/sentencing info				X	X		
Victim Information				X	X		
Person Update export				X	X		
Electronic Field Citations					X	X	
Dependency information (in JOLTS)					X	X	
Direct Filing						X	
Referrals from Juvenile						X	
Pre-Sentence						X	

Please Visit our Website!

- Our website has documentation regarding all of the version 1.0 projects.
- <http://www.co.coconino.az.us/cjii/>

Questions?

